

# QuietQube® S-3070C Remote Ice Cube Machine

Air-cooled Ice Cube Machine  
with Patented CVD Technology®



**Manitowoc**



*S-3070C Ice Machine - 115V*



*CVD Condensing Unit - 208-230/60/3*



*S-3070C on B-1400 bin*

**QUADZILLA**  
KING OF THE CUBERS



QuietQube Series Remote System consists of a remote condensing unit, interconnecting refrigerant lines, ice machine head section along with an ice storage bin, countertop dispenser, or floor dispenser. All ordered separately. QuietQube ice machine with CVD condensing unit is designed as a Manitowoc system and cannot be used with any other ice machine or remote condenser brand.

- **Quadzilla™ Evaporator System**— places four high-output individual evaporators in a compact 48" (121.92 cm) wide ice maker for up to 2,910 lbs. (1,320 kgs.) daily ice production
- **Up to CEE Tier 3 energy and water efficiency rating**
- Quiet operation. Remotely located compressor eliminates most noise from the refrigeration system. Promotes relaxing atmosphere
- Patented CVD® technology improves reliability and extends life of the compressor
- Utility connections out the back of the unit maximize floor space and provide additional installation options
- Stainless steel tubular frame construction - for added strength and durability
- Stainless steel exterior for superior corrosion resistance and durability
- Standard installation criteria facilitates easy replacement of existing remote condenser unit
- Not to be used in stacking configurations
- **Warranty**  
5-year parts and 5-year labor coverage on ice machine evaporator  
5-year parts and 3-year labor coverage on ice machine compressor  
3 year parts-and-labor coverage on all other ice machine, dispenser, and storage bin components

**CEE**  Energy Efficiency Ratings  
Specified on Back

**America's #1 Selling Ice Machine**

Ice Cube & Flake Machines • Ice Storage Bins • Ice Dispensers

**Manitowoc**

# Manitowoc QuietQube® S-3070C

## REMOTE AIR-COOLED ICE MACHINE

| Model    | Ice Shape | Ice Production 24 hours  |                          | Power Usage kWh/100 lbs. @ 90°F Air/70°F F |          | Water Usage/100 lbs. 45.4 kgs. of Ice |                        | ENERGY STAR |
|----------|-----------|--------------------------|--------------------------|--|----------|---------------------------------------|------------------------|-------------|
|          |           | 70°F Air/ 50°F Water     | 90°F Air/ 70°F Water     | 3 Ph                                       | CEE Tier | Potable Water Usage                   | Potable Water CEE Tier |             |
| SD-3072C | dice      | 2,850 lbs.<br>1,293 kgs. | 2,350 lbs.<br>1,066 kgs. | 4.64                                       | 2        | 19.7 gal.<br>75 L.                    | 3                      | ★           |
| SY-3074C | half-dice | 2,910 lbs.<br>1,320 kgs. | 2,420 lbs.<br>1,098 kgs. | 4.51                                       | 3        | 19.7 gal.<br>75 L.                    | 3                      | ★           |

Order ice storage bin separately.

**\*Consortium for Energy Efficiency (CEE)** is a North American nonprofit organization that promotes energy-efficient products, technologies and services; also the principal entity for the development of ice maker efficiency standards.

Certified in Accordance with ARI Automatic Commercial Ice-Cube Machines (Batch-Type) Certification Program, which is based on ARI Standard 810

### Ice Machine Electric

115/60/1 standard.

Min. circuit ampacity: 2.0

Max. fuse size: 15 amps

HACR-type circuit breakers can be used in place of fuses.

### Specifications

BTU Per Hour:

40,000 (average) 46,000 (peak)

Compressor: Nominal rating: 4.5 HP

Operating Limits:

- Ambient Temperature Range: 35° to 110°F (1.6° to 43.4°C)

- Water Temperature Range: 35° to 90°F (0.6° to 32.2°C)

- Water Pressure Ice Maker Water In: Min. 20 psi (137.9 kPa) / Max. 80 psi (551.1 kPa)

| 24-HOUR PRODUCTION |                | lbs. kgs. |      |           |      |      |  |
|--------------------|----------------|-----------|------|-----------|------|------|--|
| AIR-COOLED UNIT    |                |           |      |           |      |      |  |
| air temp           | water temp     |           |      |           |      |      |  |
|                    | HALF-DICE CUBE |           |      | DICE CUBE |      |      |  |
| °F                 | 50°            | 70°       | 90°  | 50°       | 70°  | 90°  |  |
| °C                 | 10°            | 21°       | 32°  | 10°       | 21°  | 32°  |  |
| 70°                | 2910           | 2770      | 2510 | 2850      | 2650 | 2500 |  |
| 21°                | 1320           | 1257      | 1139 | 1293      | 1202 | 1134 |  |
| 80°                | 2710           | 2570      | 2310 | 2700      | 2500 | 2350 |  |
| 27°                | 1229           | 1166      | 1048 | 1225      | 1134 | 1066 |  |
| 90°                | 2660           | 2420      | 2160 | 2550      | 2350 | 2200 |  |
| 32°                | 1207           | 1098      | 980  | 1157      | 1066 | 998  |  |

### 2 Cube Sizes Available



**Dice**  
3/8" x 7/8" x 7/8"  
(2.22 x 2.22 x 2.22 cm)



**Half Dice**  
3/8" x 1 1/8" x 7/8"  
(.95 x 2.86 x 2.22 cm)

### Space-Saving Designs



|             | S-3070C<br>B-1100-00   | S-3070C<br>B-1400-00   |
|-------------|------------------------|------------------------|
| Height      | 91.00"<br>231.14 cm    | 92.50"<br>234.95 cm    |
| Width       | 48.00"<br>121.92 cm    | 60.00"<br>152.40 cm    |
| Depth*      | 34.00"<br>86.30 cm     | 34.00"<br>86.30 cm     |
| Bin Storage | 1,114 lbs.<br>505 kgs. | 1,416 lbs.<br>642 kgs. |

Height includes adjustable bin legs 6.00" to 8.00", (15.24 to 20.32 cm) set at 6.00" (15.24 cm). For comparison purposes multiply ARI capacity by 1.3 (30%) to arrive at approximate \*Application Rating Capacity.\* \*Depth at bin base, 42" including bin door.

### Accessories

K-00391 Ice Deflectors (Set of 2)

K-00396 Bin Adapter for B-1100-00

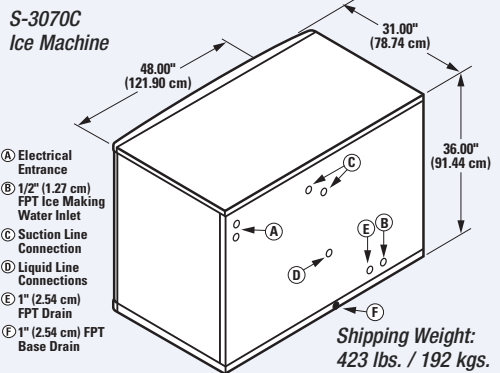
K-00397 Bin Adapter for B-1400-00

B-1100-00 48" Bin only (without adapter)

B-1400-00 60" Bin only (without adapter)

K-00395 Bin Thermostat

NOTE: S-3070 not for use on B-970 Bin.



**Installation Note:** Recommended installation clearance—Top/sides 8" (20.3 cm), back: 24" (61 cm), although 24" (61 cm) is recommended on all sides. Bin drain—located in exact center of bin.

## CVD-3085 REMOTE CONDENSING UNIT

### Installation Information and Dimensions:

Maximum Line Length—100' (30.5 m).\*

Maximum Vertical Rise\*—35' (10.7 m) above ice machine.

Maximum Vertical Drop—15' (4.5 m) below ice machine.

\*A rise over 20' (6 m) requires two S-Trap Kits K-00166 - order separately.



### Condensing Unit Electric

208-230/60/3 standard.

HACR-type circuit breakers can be used in place of fuses.

Note: QuietQube ice machine is 115/60/1 and wired independent of CVD condensing unit.

Min. circuit ampacity: 30 3ph

Max. fuse size: 35 amps 3ph

HACR-type circuit breakers can be used in place of fuses.

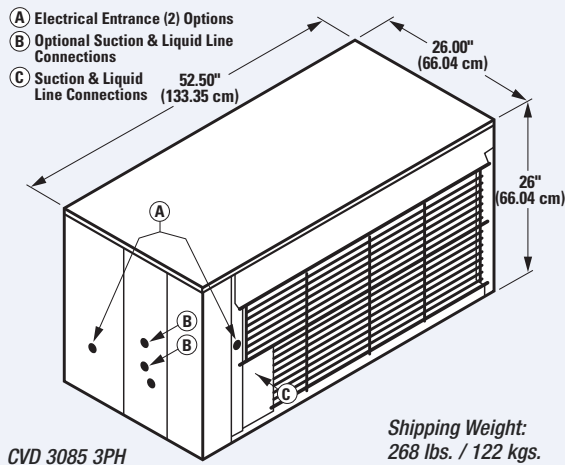
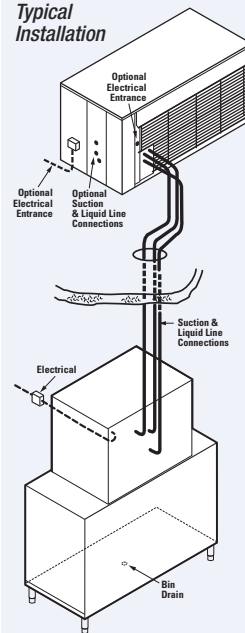
Operating Limits:

- Ambient Temperature Range: -20° to 120°F (-29° to 49°C)

### Standard Interconnecting Tubing

| Model | Line Length |      | Weight |      |
|-------|-------------|------|--------|------|
|       | ft.         | m.   | lbs.   | kgs. |
| RC-24 | 20          | 6.1  | 37     | 17   |
| RC-34 | 30          | 9.2  | 47     | 21   |
| RC-54 | 50          | 15.2 | 73     | 33   |

### Typical Installation



ISO 9001:2000 Quality System Certified



©2009 Manitowoc 1109 Continuing product improvement may necessitate change of specifications without notice. 4434A



MANITOWOC ICE  
2110 South 26th Street, P.O. Box 1720  
Manitowoc, WI 54221-1720, USA  
Ph: 920-682-0161 • Fax: 920-683-7589  
Visit us online at [www.manitowocice.com](http://www.manitowocice.com)

