

S-Series 300 Ice Cube Machine



S-Series 300
Ice Machine on B-170 Bin

- SANITATION**
We've made it simple to clean
- SAVINGS**
The perfect balance of power and efficiency
- SOUND**
Designed to run whisper-quiet
- SERVICEABILITY**
Easy access means less downtime

- Up to 340 lbs. (154 kgs.) daily ice production
- **CEE Tier 1 energy and water efficiency rating.**
- Only 30" (76.20 cm) wide
- Removable water distribution tube with no tools
- Food zone designed with soft, round, cove corners
- Patented cleaning and sanitizing technology
- Select components made with AlphaSan® antimicrobial

- Hinged front door for easy access
- Warranty
5-year parts and 5-year labor coverage on ice machine evaporator
5-year parts and 3-year labor coverage on ice machine compressor
3-year parts-and-labor coverage on all other ice machine, dispenser, and storage bin components

CEE  Energy Efficiency Ratings
Specified on Back

America's #1 Selling Ice Machine

Ice Cube & Flake Machines • Ice Storage Bins • Ice Dispensers

Manitowoc
Foodservice Group

Manitowoc S-Series 300

Model	Ice Shape	Ice Production 24 Hours				Power KWh/100 lbs.	CEE* Rating
		70° Air/50° Water		90° Air/70° Water			
		lbs.	kgs.	lbs.	kgs.		
SY-0304A	half-dice	340	154	270	123	7.7	Tier 1
SY-0305W	half-dice	325	147	290	132	6	Tier 1
SD-0302A	dice	340	154	270	123	7.7	Tier 1
SD-0303W	dice	325	147	290	132	6	Tier 1

Water usage/100 lbs./45.4 kgs. of ice
Potable Water: Air-cooled 20 gal./76 L, Water-cooled 23 gal./87 L • Water-cooled Condenser: 170 gal./644 L

Order ice storage bin separately. "A" or "W" following model number indicates "Air" or "Water" condensing unit.

Consortium for Energy Efficiency (CEE) is a North American nonprofit organization that promotes energy-efficient products, technologies and services; also the principal entity for the development of ice maker efficiency standards.

 **Certified in Accordance with ARI Automatic Commercial Ice-Cube Machines (Batch-Type) Certification Program, which is based on ARI Standard 810**

Ice Machine Electric

115/60/1 standard. (208-230/60/1 and 230/50/1 also available.)

Min. circuit ampacity: Air-cooled: 15.6 amps
Water-cooled: 14.8 amps

Max. fuse size: Air-cooled and Water-cooled: 25 amps

HACR-type circuit breakers can be used in place of fuses.

Specifications

BTU Per Hour:
5,000 (average) 6,000 (peak)

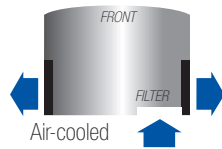
Compressor:
Nominal rating: 1/2 HP

Cupra-Nickel Condenser:
(Water-cooled models)
Adds protection from corrosive water elements.

Operating Limits:

- Ambient Temperature Range:**
Air and water-cooled:
35° to 110°F (1.6° to 43.3°C)
- Water Temperature Range:**
35° to 90°F (1.6° to 32.2°C)
- Water Pressure Ice Maker Water In:**
Min. 20 psi (137.9 kPa)
Max. 80 psi (551.1 kPa)
- Condenser Inlet Water In:**
(Water cooled only)
Min. 20 psi (137.9 kPa)
Max. 150 psi (1,034.2 kPa)

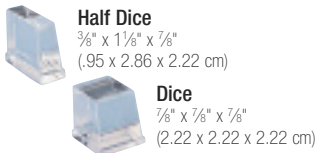
Air Flow Top View




AuCS@SO Accessory

Automatic Cleaning System purchased as an option and installed in the field.

2 Cube Sizes Available



 **Look for the EnergyMizer™ mark and you'll know you're getting the most from every energy dollar spent on foodservice equipment. www.energymizer.com**

		24-HOUR PRODUCTION†								lbs. kgs.
	air temp	HALF-DICE CUBE				DICE CUBE				
		water temp		water temp		water temp		water temp		
		°F	°C	°F	°C	°F	°C	°F	°C	
AIR-COOLED	70°	50°	70°	90°	70°	50°	70°	90°		
	21°	10°	21°	32°	21°	10°	21°	32°		
	70°	340	315	290	70°	340	315	290		
	21°	154	143	132	21°	154	143	132		
	80°	310	285	265	80°	310	285	265		
	27°	141	129	120	27°	141	129	120		
	90°	280	270	240	90°	280	270	240		
	32°	127	123	109	32°	127	123	109		
	WATER-COOLED	70°	325	300	275	70°	325	300	275	
		21°	147	136	125	21°	147	136	125	
80°		320	295	270	80°	320	295	270		
27°		145	134	123	27°	145	134	123		
90°		315	290	265	90°	315	290	265		
32°		143	132	120	32°	143	132	120		

†Data is published for 60 Hz machines. 50 Hz machines produce approximately 7% less ice.

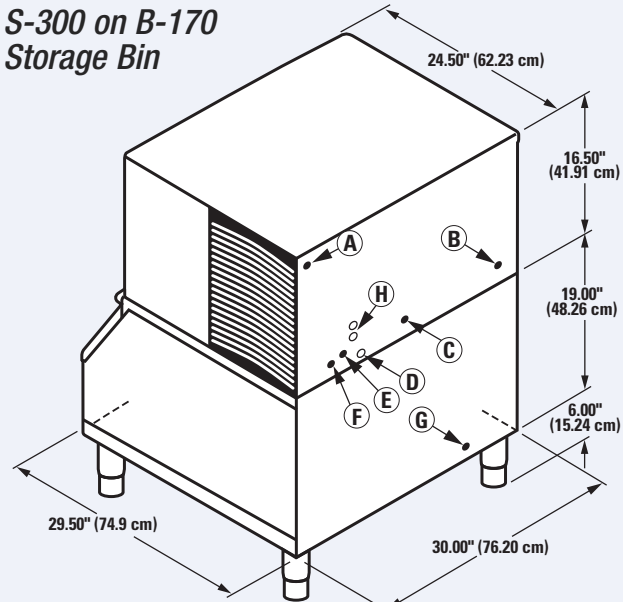
Space-Saving Designs



	S-300 B-170	S-300 B-400
Height	41.50" 105.41 cm	54.50" 138.43 cm
Width	30.00" 76.20 cm	30.00" 76.20 cm
Depth	29.50" 74.93 cm	34.00" 86.30 cm
Bin Storage	150 lbs. 68.04 kgs.	290 lbs. 131.50 kgs.

Height includes adjustable bin legs 6.00" to 8.00", (15.24 to 20.32 cm) set at 6.00" (15.24 cm).
For comparison purposes multiply ARI capacity by 1.3 (30%) to arrive at approximate "Application Rating Capacity."

S-300 on B-170 Storage Bin



- (A) Electrical Entrance
- (B) 3/8" (0.95 cm) F.P.T. Water Condenser Inlet (water-cooled units)
- (C) 1/2" (1.27 cm) F.P.T. Water Condenser Outlet (water-cooled units)
- (D) 1/2" (1.27 cm) Auxiliary Base Drain Socket
- (E) 3/8" (0.95 cm) F.P.T. Ice Making Water Inlet
- (F) 1/2" (1.27 cm) F.P.T. Ice Making Water Drain
- (G) 3/4" (1.91 cm) Bin Drain
- (H) AuCS-SO Option

Installation Note - Minimum installation clearance:
Top/sides: 8" (20.32 cm), back: 5" (12.70 cm).



MANITOWOC ICE, INC.
2110 South 26th Street, P.O. Box 1720
Manitowoc, WI 54221-1720, USA
Ph: 920-682-0161 • Fax: 920-683-7589
Visit us online at www.manitowocice.com

