

**robot coupe**

"Inventor & World Leader in Food Processors"

**BLIXER® 60**

Commercial Food Processor

# **Blixer® 60**



- All stainless steel machine.
- Adjustable 2-blade knife assembly gives equal results for small or large batches.
- Bowl is easily removed for cleaning.
- Bowl tilts for easy removal of product.
- Polycarbonate lid designed to allow the addition of liquids or ingredients during processing.
- Digital timer for better preparation control.
- Stainless steel bowl and frame designed to be simple to use and to clean.
- Delivered with 60 Qt. stainless steel bowl and 2 blade serrated knife assembly.
- Comes with wiper assembly to clean sides of bowl.
- 1 year parts and labor warranty.

**60 quart bowl unit designed for vertical cutting and mixing: mix, chop, purée, blend, mix and knead doughs.**

ETL LISTED  
C LISTED US LISTED  
54881  
CONFORMS TO UL STD 763;  
ANSI/NSF STD 8  
CERTIFIED TO CAN/CSA C22.2 STD No. 195

**Robot Coupe U.S.A., Inc.**

P.O. Box 16625

Jackson, MS 39236-6625

1-800-824-1646 • (601) 898-8411

Fax: (601) 898-9134

www.robotcoupeusa.com • e-mail: robocoup@misnet.com

**SPECIFICATIONS ON REVERSE SIDE**

# BLIXER® 60

"Inventor & World Leader in Food Processors"

Commercial Food Processor

## Specifications

**STANDARD PACK:** R60 vertical cutter mixer, 1 stainless steel bowl of 60 qts. and serrated 2-blade assembly.

**ELECTRICAL:** 220V, 60 Hz, 60 Amp, three-phase.

**MOTOR:** 11.5 HP/ 16 HP, 1800 and 3600 rpm, three-phase

**SAFETIES:** Comply with electrical standard ETL, cETL, magnetic safety and thermal protection, bowl detection device, bowl detection in vertical position device, lid detection device and locking lid detection devices.

**BOWL CAPACITY:** 60 Quarts.

**WEIGHT:** 330 lbs.

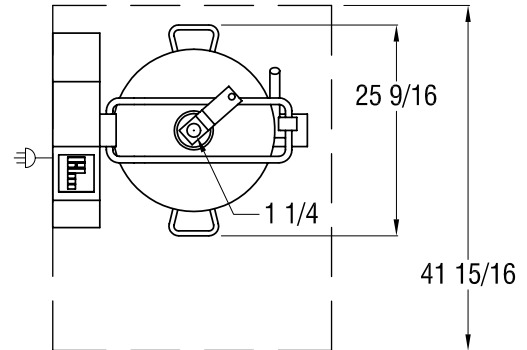
### OPTIONAL EQUIPMENT:

- 3 blade coarse serrated knife assembly
- 3 blade fine serrated knife assembly
- Lid wiper assembly
- Bowl wiper assembly

**STANDARDS:** ETL, ETL Sanitation, cETL.



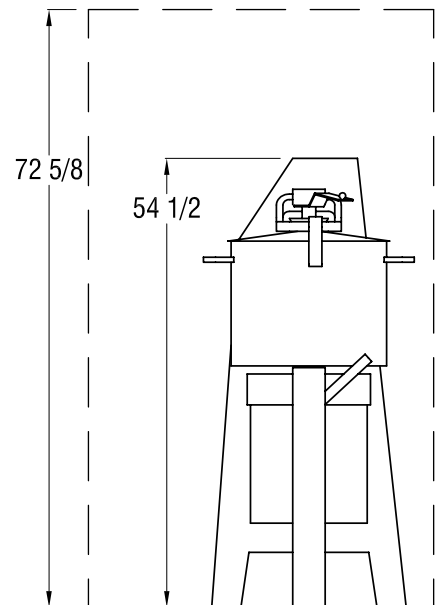
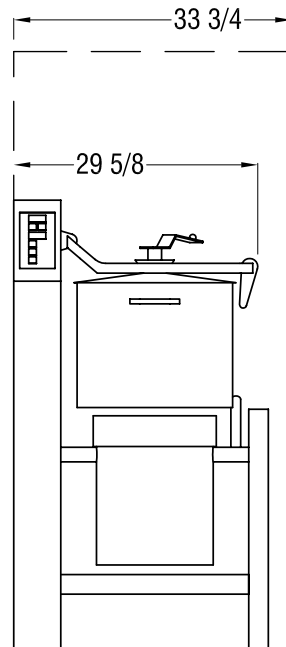
Two Blade Assembly



Bowl:

Diameter - 19"

Height - 16"



**Robot Coupe U.S.A., Inc.**

P.O. Box 16625

Jackson, MS 39236-6625

1-800-824-1646

(601) 898-8411

Fax: (601) 898-9134

[www.robotcoupeusa.com](http://www.robotcoupeusa.com)

e-mail: [robocoup@misnet.com](mailto:robocoup@misnet.com)

## Distributed by: